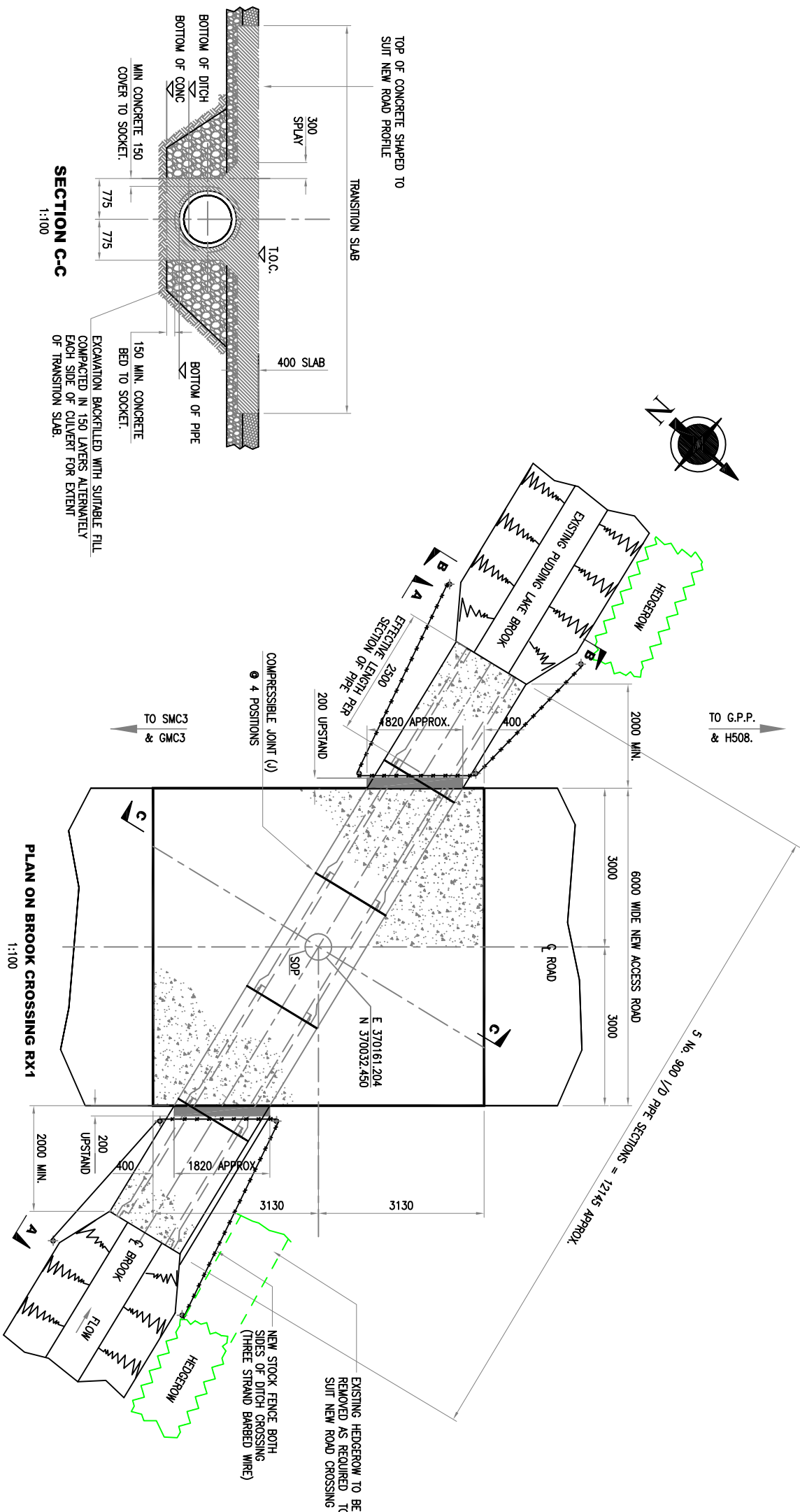


GENERAL NOTES

1. ALL DIMENSIONS ARE IN MILLIMETRES.
2. ALL LEVELS ARE IN METRES, A.O.D.

REFERENCE DRAWINGS

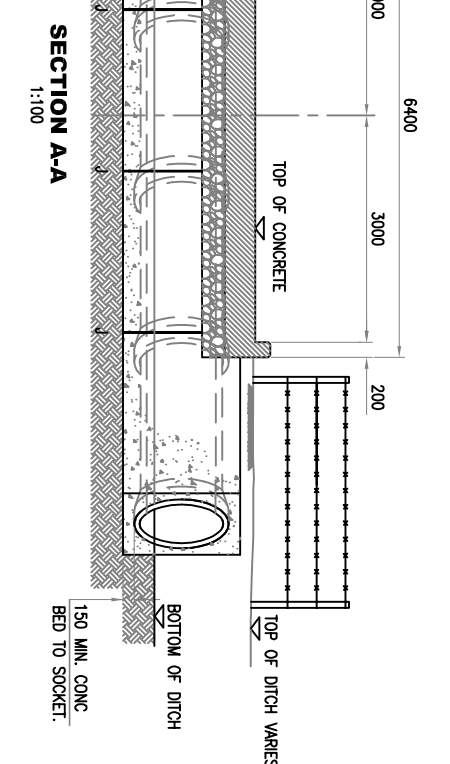
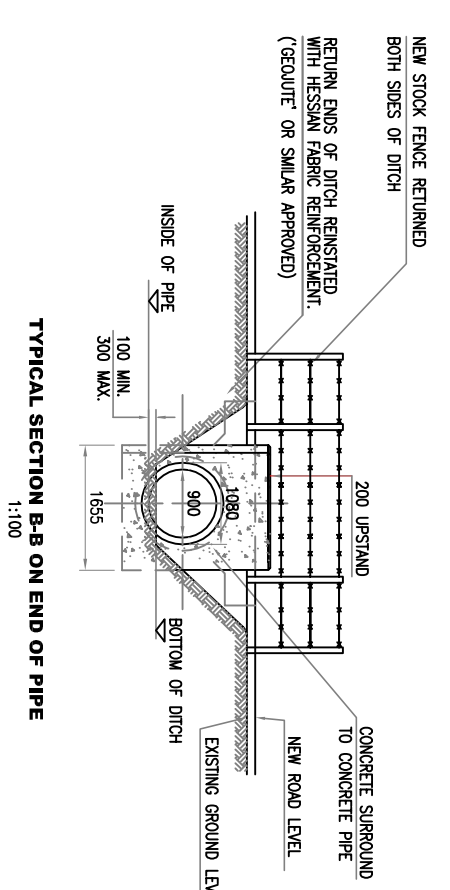
13-03-01-HOL/24/301. HOLFORD BRINEFIELD - KSP
KEY PLAN FOR INFRASTRUCTURE CROSSINGS



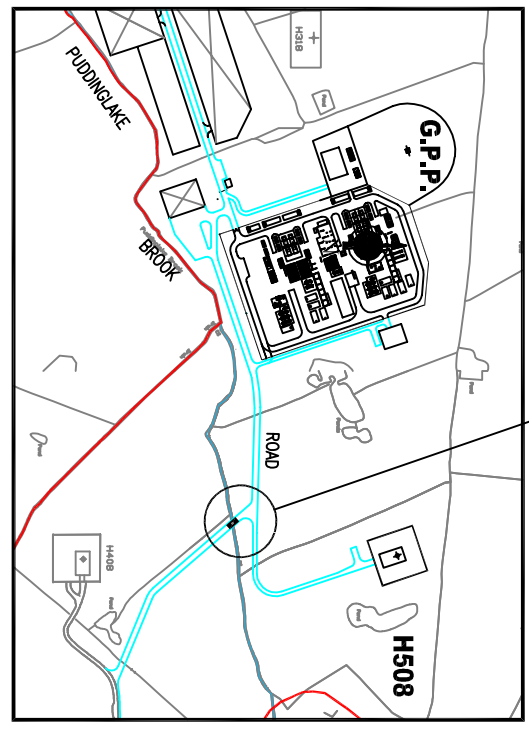
SECTION C-C
1:100

PLAN ON BROOK CROSSING RX1
1:100

THIS DRAWING
ROAD CROSSING RX1
TO PUDDINGLAKE BROOK
E 370161.204
N 370032.450



LOCATION PLAN
NOT TO SCALE



HOLFORD BRINEFIELD - KGSP - 6 METRE ROAD CROSSING RX1 TO PUDDINGLAKE BROOK

TITLE		HOLFORD BRINEFIELD - KGSP - 6 METRE ROAD CROSSING RX1 TO PUDDINGLAKE BROOK		SCALE		1:100	
REV	DESCRIPTION	DATE	BY	CHKD	DATE	EXT.	SIZE
B1	FOR DCD APPLICATION	26.10.2015	DP	DP	02.02.2015		A3
	ALTERATIONS						B1
<p>THIS DRAWING IS PRIVATE AND CONFIDENTIAL, AND IS THE PROPERTY OF KEUPER GAS STORAGE LIMITED. IT MUST NOT BE COPIED OR LENT WITHOUT THE CONSENT OF KEUPER GAS STORAGE LIMITED. BRINE AND WATER SECTION AND MUST BE RETURNED WITH TENDER AND / OR ON COMPLETION OF ORDER.</p>		<p>THIS DRAWING HAS BEEN GENERATED USING CAD. AUTOMATICALLY WITH THE APPROVED REVISED BUT UNDER NO CIRCUMSTANCES SHOULD REVISED BE MADE TO THE DRAWING EXCEPT BY UPDATING THE CAD MASTER IMAGE. IF ANY DOUBT EXISTS PLEASE CONTACT HOLFORD DRAWING OFFICE FOR CONFIRMATION OF CURRENT DRAWING STATUS.</p>		<p>KEUPER GAS STORAGE LIMITED BRINE AND WATER SECTION, NORTHWICH SITES, HOLFORD BRINEFIELD, LOSTOCK GRALAM, NORTHWICH, CHESHIRE, CV9 7TD.</p>		<p>PROJECT No. EN030002 DRAWING No. 13-03-01/HOL/24/302</p>	